

**RTE Series
Refrigerated
Bath/Circulators
Digital Controller**

NESLAB Manual P/N U00479

Rev. 09/22/99

Instruction and Operation Manual



RTE-Series Refrigerated Bath/Circulator

Table of Contents

PREFACE	
	Compliance 2
	Unpacking 2
	Warranty 2
	After-sale Support 2
SECTION I	
Safety	
	Warnings 3
SECTION II	
General Information	
	Description 4
	Specifications 4
SECTION III	
Installation	
	Site 5
	Electrical Requirements 5
	Plumbing Requirements 6
	Fluids 8
	Filling Requirements 8
	Water Quality Standards and Recommendations 9
SECTION IV	
Temperature Controller	
	Start Up 10
	Controller Keypad & Display 10
	Changing a Value 11
	Controller Displays 11
	Operator's Loop 12
	Setup Loop 13
	Error Messages 15
	Flow Control Valve (Optional) 15
	Autorefill (Optional) 16
	Sealable Bath Lid (Optional) 16
	High Temperature/Low Liquid Level Safety 17
	9-Pin Accessory Connectors 18
	Analog Interface (Optional) 19
SECTION V	
Maintenance	
	Service Contracts 20
	Condenser 20
	Reservoir Cleaning 21
	Algae 21
	Additional Loops 22
	Calibration Loop 23
	Calibration Procedure 23
SECTION VI	
Troubleshooting	
	Checklist 25
	Service Assistance and Technical Support 26
APPENDIX A	NESLAB SERIAL COMMUNICATION PROTOCOL
APPENDIX B	PROGRAMMING SOFTWARE/RS232 COMMUNICATION
WARRANTY	

Preface

Compliance

Products tested and found to be in compliance with the requirements defined in the EMC standards defined by 89/336/EEC as well as Low Voltage Directive (LVD) 73/23/EEC can be identified by the CE label on the rear of the unit. The testing has demonstrated compliance with the following directives:

LVD, 73/23/EEC	Complies with UL 3101-1:93
EMC, 89/336/EEC	EN 55011, Class A Verification EN 50082-1:1992 IEC 1000-4-2:1995 IEC 1000-4-3:1994 IEC 1000-4-4:1995

For any additional information refer to the Letter of Compliance that shipped with the unit (Declaration of Conformity).

Unpacking

Retain all cartons and packing material until the unit is operated and found to be in good condition. If the unit shows external or internal damage, or does not operate properly, contact the transportation company and file a damage claim. Under ICC regulations, this is your responsibility.

Warranty

Units have a warranty against defective parts and workmanship for one year from date of shipment. See back page for more details.

After-sale Support

NESLAB is committed to customer service both during and after the sale. If you have questions concerning the operation of your unit, contact our Sales Department. If your unit fails to operate properly, or if you have questions concerning spare parts or Service Contracts, contact our Customer Service Department. Before calling, please obtain the following information from the unit's serial number label:

- *BOM number* _____
- *Serial number* _____

Section I Safety

Warnings

Make sure you read and understand all instructions and safety precautions listed in this manual before installing or operating your unit. If you have any questions concerning the operation of your unit or the information in this manual, contact our Sales Department.

Performance of installation, operation, or maintenance procedures other than those described in this manual may result in a hazardous situation and may void the manufacturer's warranty.

Transport the unit with care. Sudden jolts or drops can damage the refrigeration lines. The units weigh approximately: RTE-111, 86 pounds (390 kilograms); RTE-211, 99 pounds (45 kilograms); RTE-221, 106 pounds (48 kilograms). Units should be transported with equipment designed to lift these weights.

Observe all warning labels.

Never remove warning labels.

Never operate damaged or leaking equipment.

Never operate the unit without bath fluid in the bath.

Never use pure ethylene glycol as a bath fluid. Above 80°C the user is responsible for the fluid used.

For 220 - 240 volt units supplied without a line cord, use a harmonized (HAR) grounded 3-conductor cord, type H 05 V V - F, with conductors listed below. A suitable cord end is required for connecting to the equipment (see unit socket) and must terminate with an IEC approved plug for proper connection to power supply.

RTE-111 and RTE-211	Nominal 1.0 mm ² cross section rated 10 Amps Unit Socket: IEC - 320 C13
RTE-221	Nominal 1.5 mm ² cross section rated 16 Amps Unit Socket: IEC - 320 C19

Always turn off the unit and disconnect the line cord from the power source before performing any service or maintenance procedures, or before moving the unit.

Always empty the bath before moving the unit.

Never operate equipment with damaged line cords.

Refer service and repairs to a qualified technician.

In addition to the safety warnings listed above, warnings are posted throughout the manual. These warnings are designated by an exclamation mark inside an equilateral triangle with text highlighted in bold print. Read and follow these important instructions. Failure to observe these instructions can result in permanent damage to the unit, significant property damage, personal injury or death.

Section II General Information

Description

The RTE-Series Refrigerated Bath/Circulators are designed to provide temperature control for applications requiring a fluid work area or pumping to an external system.

Units consist of a non-CFC air-cooled refrigeration system, circulation pump, seamless stainless steel bath, work area cover, and a temperature controller.

	RTE-111	RTE-211	RTE-221
Specifications			
Temperature Range¹	-25°C to +150°C		-23°C to +150°C
Temperature Stability^{2,3,4}	±0.01°C		
Cooling Capacity^{2,5}			
<i>Watts</i>	500		
<i>BTU/H</i>	1705		
Pump Capacity²	15 lpm at 0' (0 M) 0 lpm at 16' (4.9 M)		
Heater (Watts)			
<i>60 Hz Models</i>	800	800	1600
<i>50 Hz Models</i>	1000	1000	1800
Refrigerant	R134a		
Bath Work Area			
<i>(L x W x D)</i>			
<i>Inches</i>	43/4 x 8 x 6	91/4 x 10 x 6	91/4 x 10 x 9
<i>Centimeters</i>	12.1 x 20.3 x 15.3	23.5 x 25.4 x 15.2	23.5 x 25.4 x 22.9
Bath Volume			
<i>Gallons</i>	1.9	3.2	5.4
<i>Liters</i>	7.0	12.1	20.5
Case Dimensions⁶			
<i>Inches (H x W x D)</i>	25 x 105/16 x 157/8	25 x 123/8 x 183/8	277/8 x 123/8 x 183/8
<i>Centimeters (H x W x D)</i>	63.5 x 26.2 x 40.3	63.5 x 31.4 x 46.7	70.8 x 31.4 x 46.7
Power Requirements⁷	115 V, 60 Hz 220V, 50 Hz		
Shipping Weight			
<i>Pounds</i>	86	99	106
<i>Kilograms</i>	39	45	48

1. Low-end temperature for 50Hz units is -18°C, -23°C and -21°C respectively.
2. Specifications listed for units operating to +5°C using water. Other specifications determined using fluid with specific heat of 0.6, ambient +20°C (+70°F).
3. For operation below 0°C, covering the bath work area may improve stability.
4. For some applications, agitation and stability above ambient may be improved by connecting a small length of hose between the pump connections on the rear of the unit.
5. 50 Hz RTE-111 units have a 375 watt cooling capacity.
6. Add 1½ inches (3.8 cm) to depth for plumbing fittings.
7. Control transformer fusing - 115VAC units = (T=Time Delay) 500mA 250V 5 x 20mm (Qty 1), 220VAC units =[T=Time Delay] 250mA 250V to 5 x 20mm (Qty 2).
Bussman fusing part numbers: 500mA fuse = Bussman S504-500mA
250mA fuse = Bussman S504-250mA

Section III Installation

Site

The indentations on the unit's sides are designed to function as handles. Lift the unit by the handles and locate it on a sturdy work area. Ambient temperatures should be inside the range of +50°F to +104°F (+10°C to +40°C).



Never place the unit in a location where excessive heat, moisture, or corrosive materials are present.

The unit has an air-cooled refrigeration system. Air is drawn through the front panel and discharged through the rear panel. The unit must be positioned so the air intake and discharge are not impeded. A minimum clearance of 12 inches (30 centimeters) at the front and rear of the unit is necessary for adequate ventilation. Inadequate ventilation will reduce cooling capacity and, in extreme cases, can cause compressor failure.

Excessively dusty areas should be avoided and a periodic cleaning schedule should be instituted (see Section VI, Cleaning).

The unit will retain its full rated capacity in ambient temperatures up to approximately +75°F (+24°C). Above +75°F, reduce the cooling capacity 1% for every 1°F above +75°F, to a maximum ambient temperature of +104°F. In terms of Celsius, reduce the cooling capacity 1% for every 0.5°C above +24°C, to a maximum ambient temperature of +40°C.

Electrical Requirements



Line voltage may be easily accessible inside the pump/control box. Always unplug the unit prior to removing pump/control box cover.

Refer to the serial number label on the rear of the unit to identify the specific electrical requirements of your unit.

Ensure the voltage of the power source meets the specified voltage, $\pm 10\%$.

The unit construction provides extra protection against the risk of electric shock by grounding appropriate metal parts. The extra protection may not function unless the power cord is connected to a properly grounded outlet. It is the user's responsibility to assure a proper ground connection is provided.



For 220 - 240 volt units supplied without a line cord, use a harmonized (HAR) grounded 3-conductor cord, type H05VV-F, with conductors listed below. A suitable cord end is required for connecting to the equipment (see unit socket) and must terminate with an IEC approved plug for proper connection to power supply.

RTE-221	Nominal 1.5 mm ² cross section rated 16 Amps Unit Socket: IEC - 320 C19
RTE-111 and RTE-211	Nominal 1.0 mm ² cross section rated 10 Amps Unit Socket: IEC - 320 C13

Plumbing Requirements



Ensure the unit is off before connecting tubing to the unit.

To prevent damage to the plumbing lines, always support the 3/4" fittings while installing/removing the pumping caps and lines.

Hose Connections

The pump connections are located at the rear of the pump box and are labelled PUMP INLET and PUMP OUTLET. These connections are bent upward so the recirculating fluid will drain back into the reservoir when the hoses are disconnected. Both connections are capped with stainless steel serrated plugs.

The pump lines have 1/4" MPT for mating with standard plumbing fittings. For your convenience stainless steel adapters, 1/4" FPT to 3/8" O.D. serrated fitting, are provided. (To assure proper fit, they should be installed using 1 1/2 turns of Teflon® tape around the threads.)

Flexible tubing, if used, should be of heavy wall or reinforced construction. Make sure all tubing connections are securely clamped. Avoid running tubing near radiators, hot water pipes, etc. If substantial lengths of tubing are necessary, insulation may be required to prevent loss of cooling capacity. Tubing and insulation are available from NESLAB. Contact our Sales Department for more information (see Preface, After-sale Support).

It is important to keep the distance between the unit and the external system as short as possible, and to use the largest diameter tubing practical. Tubing should be straight and without bends. If diameter reductions must be made, make them at the inlet and outlet of the external system, not at the unit.

If substantial lengths of cooling lines are required, they should be pre-filled with bath fluid before connecting them to the unit. This will ensure that an adequate amount of fluid will be in the bath once it is in operation.

Pumping

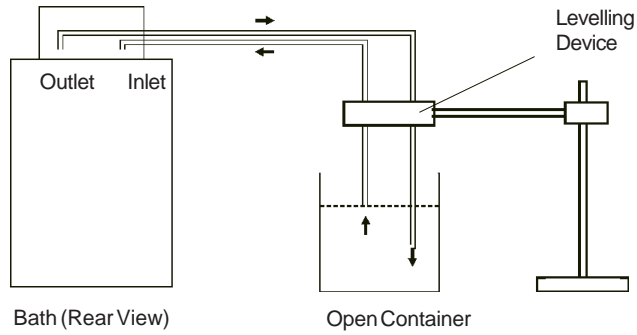
The pump is designed to deliver a flow of 15 liters per minute (4 gallons per minute) at 0 feet head. To prevent external circulation, the PUMP INLET and PUMP OUTLET lines on the rear of the unit are capped. The caps must be removed when external circulation is required.

To properly secure external hose connections to the unit, wrap Teflon® tape around the pipe line threads before installation. Once the hose connections are made, the hoses must be properly plumbed to an external system. *It is important the bath is not in operation until all plumbing is complete.*

NOTE: To increase agitation in the bath when not circulating externally, connect a short loop of hose between the inlet and outlet lines.

If the bath is not used for external circulation or increased agitation, make sure the stainless steel caps are in place prior to operating the bath.

Circulating to an open container



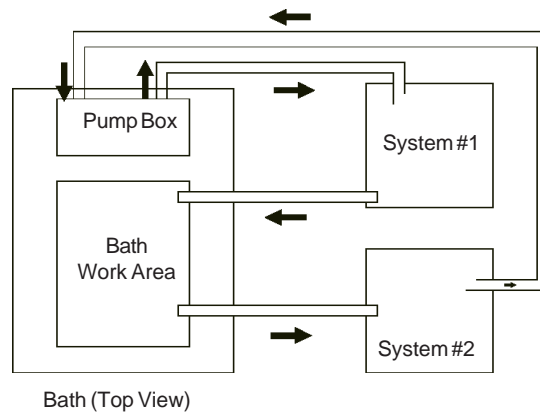
A stainless steel leveling device is available to aid circulation to an open vessel. Contact our Sales Department for more information (see Preface).

Support the leveling device over the open container with a ringstand. Stagger the tubes in the leveling device so one tube is submerged in the vessel fluid, and the other tube is level with the fluid surface. Connect the deeper tube to the PUMP OUTLET and the shorter tube to the PUMP INLET.

Adjust the flow rate using the accessory flow control valve connected to the PUMP OUTLET, or by partially restricting the outlet tubing. When properly adjusted, the pump inlet will draw an occasional air bubble to prevent over flow, and the pump outlet will force fluid through the submerged tube to prevent aeration of the vessel.

To avoid siphoning the bath work area when the unit is shut off, lift the leveling device out of the vessel and above the level of the unit.

Circulating through two closed-loops



The pump can be used to circulate through two closed-loop systems. Connect the shortest practical length of flexible tubing from the PUMP OUTLET to the inlet of external system #1. Connect the outlet of system #1 directly into the bath work area. Connect tubing from the bath work area to the inlet of system #2. Connect the outlet of system #2 to the PUMP INLET.

Drain



Ensure the temperature of the bath fluid is safe before draining the unit.

The unit is equipped with a drain located at the back of the unit at the base of the bath. The drain has ¼" MPT and is capped with a stainless steel plug. To drain the reservoir simply remove the cap.

To assure proper fit when replacing the cap, be sure to line the threads with 1½ turns of Teflon® tape.

Fluids



Never use flammable or corrosive fluids with this unit.

The selected fluid must have a viscosity of 50 centistokes or less at the lowest operating temperature.

Filtered tap water is the recommended fluid for operation from +8°C to +80°C. See Water Quality Standards and Recommendation on the next page.

For operation from -30°C to +8°C, a 50/50 mixture, by volume, of tap water and laboratory grade ethylene glycol is suggested.



Never use pure ethylene glycol as a bath fluid. Above 80°C and below -30°C, the user is responsible for the fluid used.

Filling Requirements

The bath work area has a high and low level marker to guide filling. The markers are 1 inch horizontal slits located in the center of the stainless steel baffle separating the work area and the pump assembly. The correct fluid level falls between these two markers. The heating and cooling coils will be exposed and may become damaged if the correct fluid level is not provided.

When pumping to an external system, keep extra fluid on hand to maintain the proper level in both the circulating lines and the external system.



Never run the unit when the work area is empty. Avoid overfilling. Overfilling the bath may damage the insulation and affects stability as well as low-end performance.

Water Quality Standards and Recommendations

	Permissible (PPM)	Desirable (PPM)
Microbiologicals (algae, bacteria, fungi)	0	0
Inorganic Chemicals		
Calcium	<40	0.6
Chloride	250	<25
Copper	1.3	1.0
Iron	0.3	<0.1
Lead	0.015	0
Magnesium	<12	0.1
Manganese	0.05	<0.03
Nitrates/Nitrites	10 as N	0
Potassium	<20	0.3
Silicate	25	<1.0
Sodium	<20	0.3
Sulfate	250	<50
Hardness	17	<0.05
Total Dissolved Solids	50	10
Other Parameters		
pH	6.5-8.5	7-8
Resistivity	0.01*	0.05-0.1*

* Megohm-Cm (Compensated to 25°C)

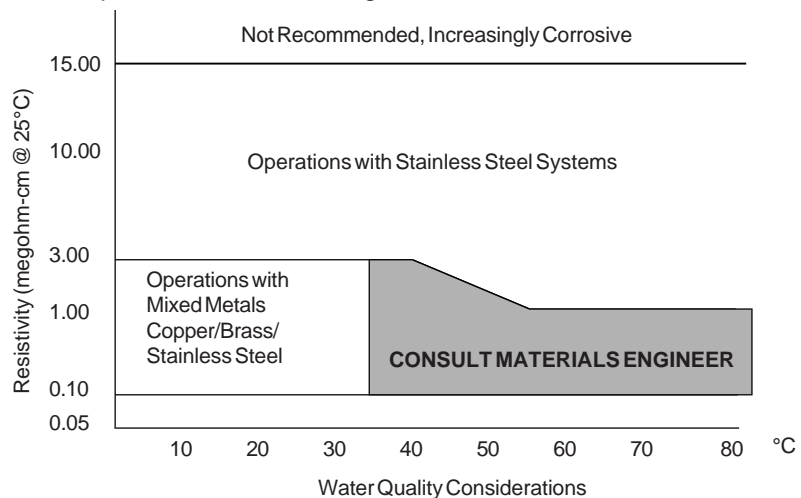
Unfavorably high total ionized solids (TIS) can accelerate the rate of galvanic corrosion. These contaminants can function as electrolytes which increase the potential for galvanic cell corrosion and lead to localized corrosion such as pitting which can be observed at the studs and on the outside surface of cooling coils. Eventually, the pitting will become so extensive that the coil will leak refrigerant into the water reservoir.

For example, raw water in the U.S. averages 171 ppm (of NaCl). The recommended level for use in a water system is between 0.5 to 5.0 ppm (of NaCl).

Recommendation: Initially fill the tank with distilled/deionized water. Do not use untreated tap water, as the total ionized solids level may be too high.

Maintain this water quality at a resistivity of between 1 to 10 megohm-cm (compensated to 25°C) by using a purification system. Although the initial fill may be as high as 10 megohm-cm (compensated to 25°C), the desired level for long time usage is 1 to 3 megohm-cm (compensated to 25°C).

The above two recommendations will reduce the electrolytic potential of the water and prevent or reduce the galvanic corrosion observed.



Section IV Temperature Controller

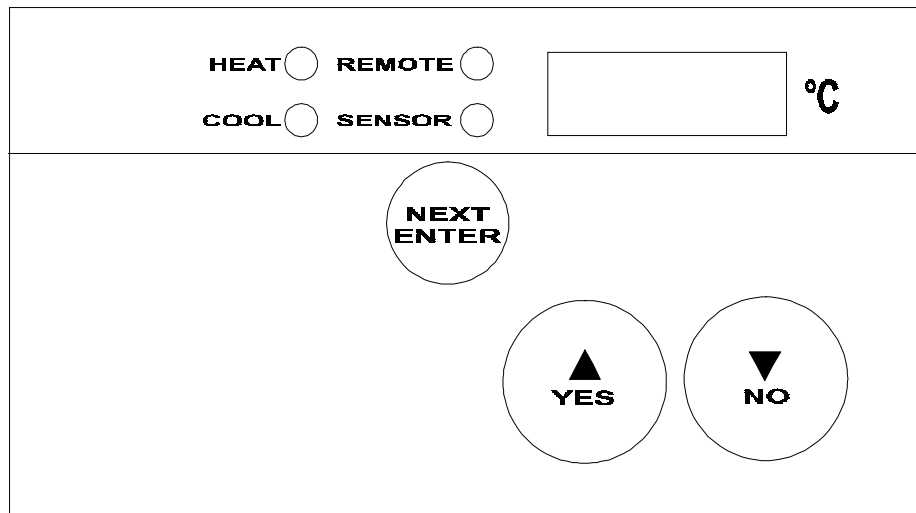
Start Up

Before starting the unit, check all electrical and plumbing connections and make sure the work area has been properly filled with bath fluid.

To start the bath, place the I/O circuit breaker on the side of the control box to the I (power on) position. The pump will start and the controller will display the temperature of the fluid in the reservoir.

The digital controller controls temperature using a PID (Proportional-Integral-Derivative) algorithm. It is designed with self-diagnostic features and easy to use operator interface.

Controller Keypad & Display



The controller's HEAT and COOL indicators show the status of the refrigeration system and heater. The HEAT indicator is lit when the heater is on. The HEAT indicator flashes when the heater is pulsating. The COOL indicator is lit when the refrigeration system is removing heat from the cooling fluid. A balance between COOL and HEAT controls the temperature.

NOTE: Below 50°C the refrigeration system is on unless the setpoint is more than 2°C above the bath temperature. This allows for rapid heat up. Above 50°C the refrigeration system is off unless the setpoint is more than 2°C below the bath temperature. This allows for rapid cool down.

The REMOTE indicator illuminates whenever the unit is configured to accept a remote setpoint. The controller's SENSOR indicator illuminates whenever the optional external sensor is selected. See Controller Displays on the next page for information on the °C display.

NEXT ENTER

Use this key to scroll forward through the menus and also to accept and save changes.

YES, ▲

This dual purpose key is used to answer Yes to Y/N questions or to increment numerical values upward for setting numeric values.

NO, ▼

This dual purpose key is used to answer No to Y/N questions or to decrement numerical values downward for setting numeric values.

Changing a Value

The **YES** key increments the value. The **NO** key decrements the value.

The display will flash as soon as either key is depressed, and will continue to flash until the **NEXT ENTER** key is pressed twice to accept the new value.

The new value will not be used by the controller until the **NEXT ENTER** key is depressed twice and the display stops flashing.

NOTE: If the **ENTER** key is not depressed twice within 10 seconds, the controller will time out and the new value will not be accepted. The controller will revert to the previous setpoint value.

The controller will not allow you to enter a value above the maximum or below the minimum (normally +150°C and -25°C).

Controller Displays

An alphanumeric display presents numeric readings of various operating conditions within the bath. Display function is selected by pressing the appropriate keys to move through a menu of available information.

When the controller is first powered up it performs a quick self-test then enters the Operator's Loop. The Operator's Loop displays the bath temperature and is used to change the setpoint, see page 12. The Setup Loop can be accessed from the Operator's Loop by pressing and holding the key combinations shown on Figure 1 on the next page. The Setup Loop is used to adjust the controller's PID parameters, select either the internal or optional external sensor, and set the high/low temperature limits. It is also used to select RS232 parameters and display the unit's identification number. See pages 13-14.

Operator's Loop

When the controller is first powered up it enters the Operator's Loop, displaying reservoir fluid temperature. Press the NEXT ENTER key to view the setpoint.

SP displays the controller setpoint. The display will flash between SP and the actual setpoint number. Use the YES/NO keys to change the setpoint value. Once the desired setpoint is displayed, press the NEXT ENTER key twice.

NOTE: If the bath is controlled via RS232 communications, the setpoint can not be changed from the keypad.

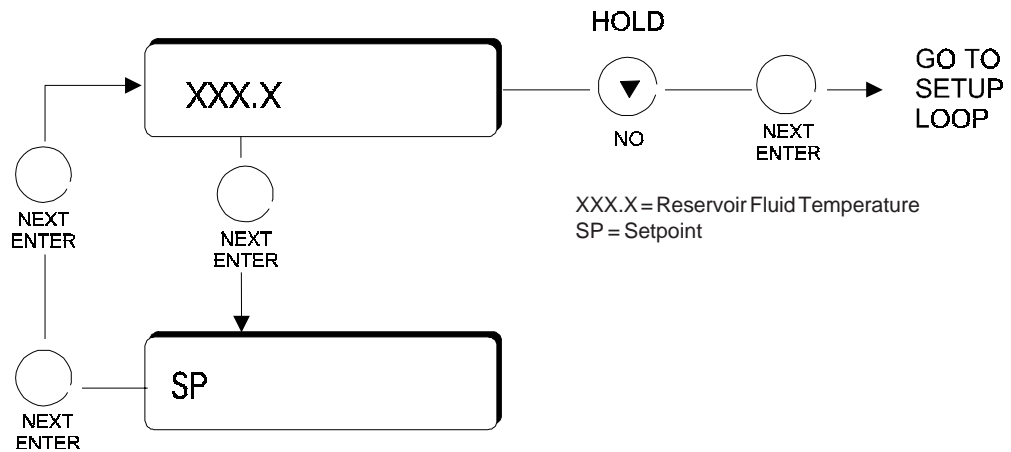


Figure 1 Operator's Loop

Setup Loop

The Setup Loop is used to adjust the controller's PID parameters; select either the internal (1) or optional external (2) sensor; set the high/low temperature limits; adjust RS232 parameters; and display/alter the unit's ID number.

Enter the Setup Loop from the Operator's Loop by pressing and holding the NO key, then press the NEXT ENTER key. Use the YES/NO keys to adjust the values. Press the NEXT ENTER key twice to accept the new value. Press the NEXT ENTER key only once if the value did not change.

While in the Setup Loop, if a key is not pressed during a one-minute time span, the controller will automatically return to the Operator's Loop.

NOTE: If the unit exceeds either temperature limit, the appropriate error message will flash, see page 15. The unit will not shut down (unless the temperature also exceeds the high temperature safety setting, see page 17). You will also receive an error code if the optional external sensor is selected but it is not installed.

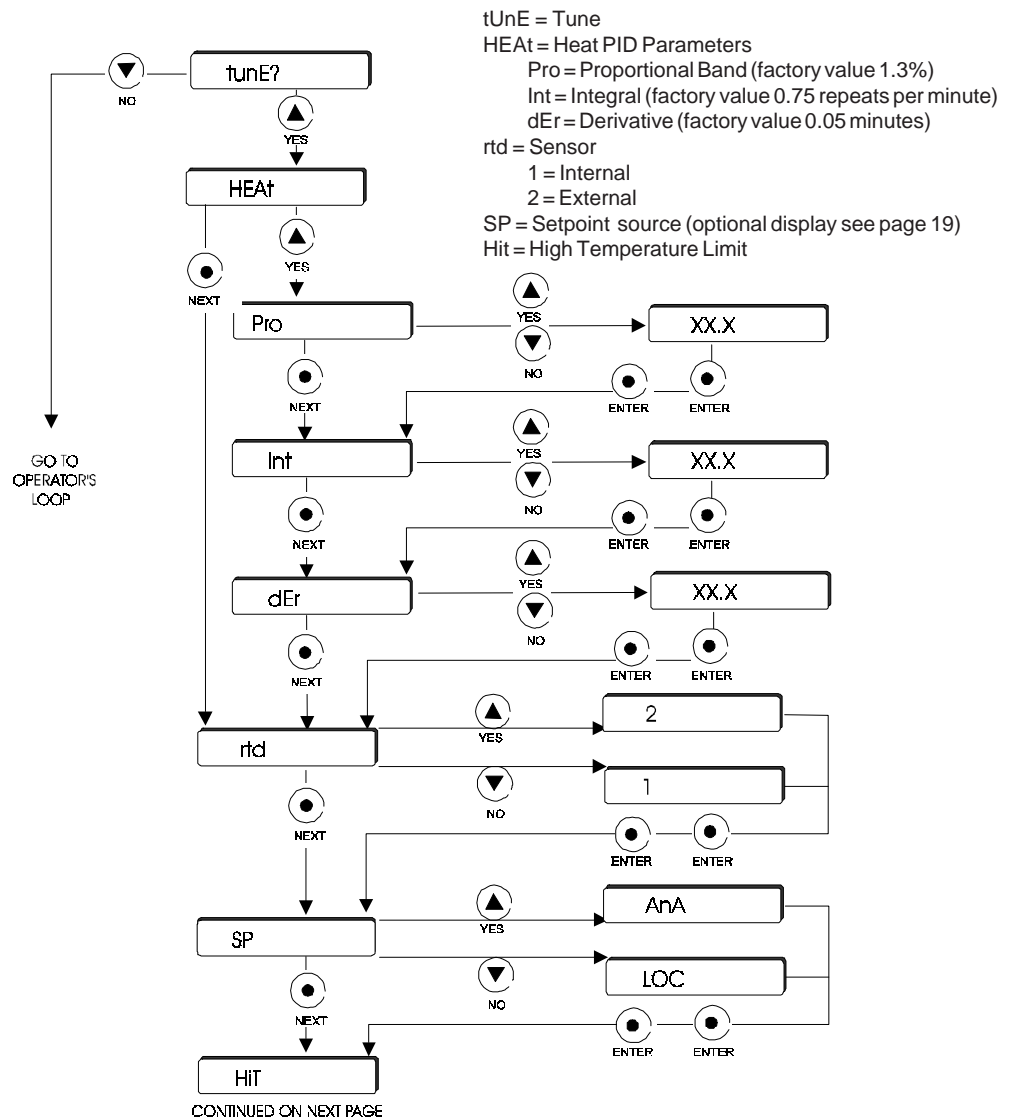


Figure 2 Setup Loop (1 of 2)

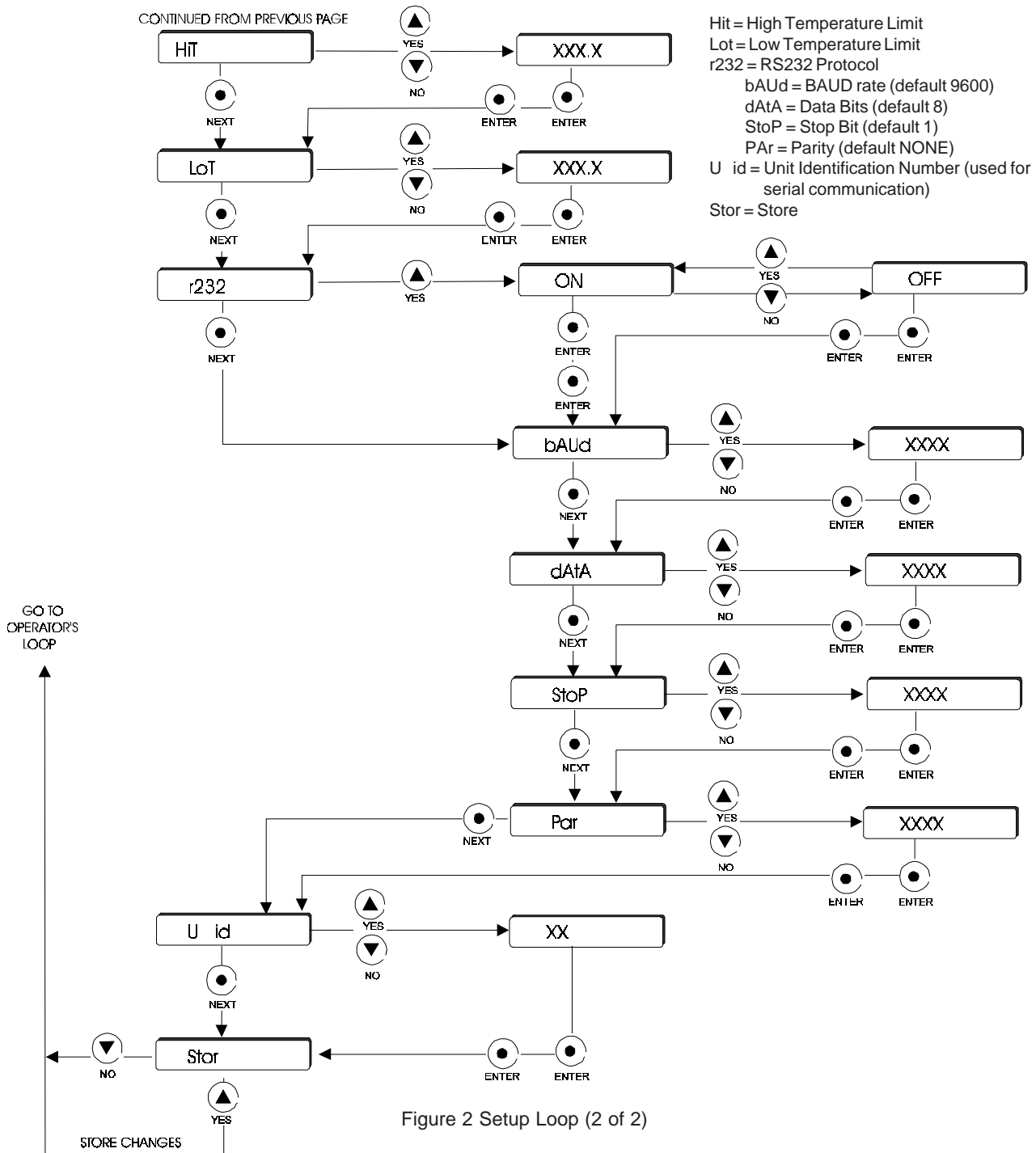


Figure 2 Setup Loop (2 of 2)

NOTE: To save *all* changes, when the display reads **Stor** press **YES**. Should you desire to return to the temperature display and abort *all* changes, when the display reads **Stor** press **NO**.

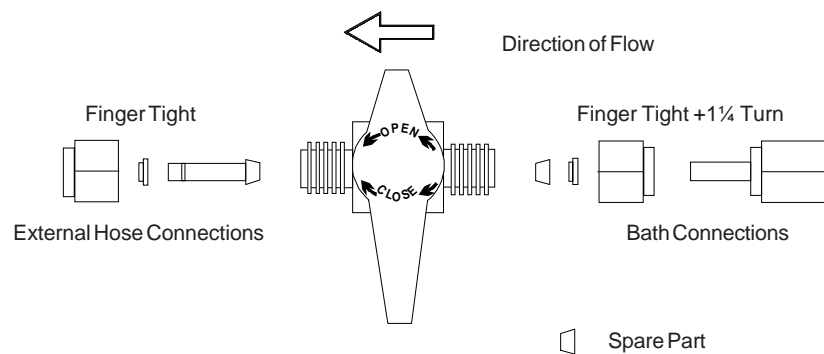
Error Messages

Error	Action
Er00:	ROM Checksum
Er01:	RAM Test Failed
Er03	Keypad Test Failed
Er04-13:	Interrupt Error
Er14:	Synchronous Error
Er15:	Asynchronous Error
Er16:	Bad Calibration
LoT:	Low Temp Limit
HiT:	High Temp Limit
Er23:	RTD2 Shorted
Er24:	RTD2 Open/Not Installed
Er25:	RTD1 Shorted
Er26:	RTD1 Open
HTC:	High Temperature Cutout
PrES:	Pressure Cutout

NOTE: HTC and PrES are optional displays available only on specially modified units. Errors 00 through 15 will lockup the controller keypad. Errors 00 through 03 may be cleared by depressing the NEXT ENTER key.

Flow Control Valve (Optional)

An optional flow control valve is available to control external circulation. The valve assembly consists of the nine pieces shown below. Once assembled and installed on the unit, clamp a hose to the end of the assembly. Turn the unit on and check for leaks with the valve opened as well as closed.



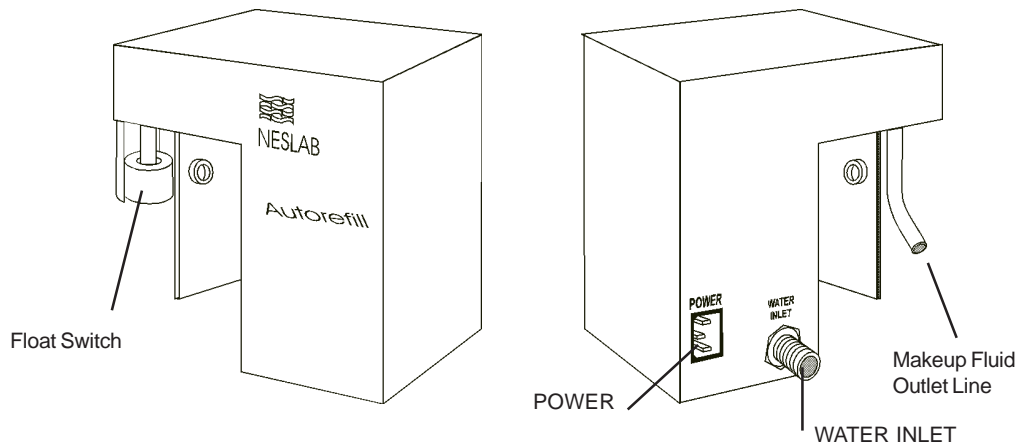
Autorefill (Optional)

The autorefill device is designed to maintain the correct level of fluid in the reservoir. The device consists of a float switch and a solenoid valve. If the fluid level falls, the float switch opens the solenoid valve allowing makeup fluid to fill the reservoir. Once the fluid reaches the proper level, the float switch rises and the solenoid valve closes.

The plumbing connection for the autorefill device, labeled WATER INLET, is located on the rear of the autorefill assembly. The connection is $\frac{3}{8}$ " OD stainless steel. To prevent damage to your hosing and to prevent the hose from slipping of the connection, install the supplied hose barb into your tubing. Tubing is also available from NESLAB. Contact our Sales Department.

Remove the nut on the WATER INLET connection and install the tubing from your makeup fluid source. Reinstall the nut and tubing on the connection. Install the device on the unit. To secure the device to the unit, tighten the screw located between the float switch and the makeup fluid outlet line. If desired, place the supplied cover on the unit.

The autorefill device requires its own source of electrical power. A connector for the supplied line cord is also located on the rear of the autorefill device. The connector is labelled POWER.

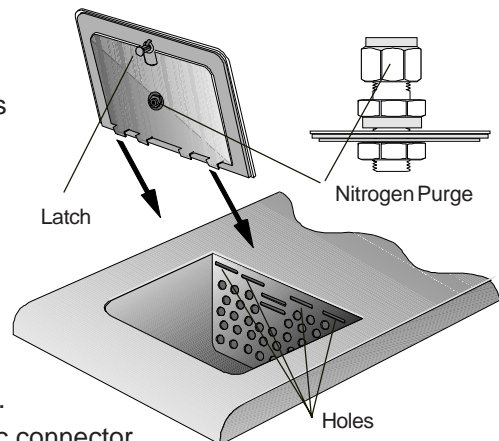


Sealable Bath Lid (Optional)

Depending on your application requirements and/or working environment, a bath lid is available to make RTE-111 reservoirs sealable (not pressurized).

The top of the pump grate in the unit's reservoir has four holes cut into the sheet metal. Align the protrusions on the lid with these holes as shown. A locking adjustable grip latch tightens the lid to the tank top allowing an EDPM gasket to create a seal.

The lid also has a nitrogen purge port. The purge port is a $\frac{1}{4}$ " male Swageloc connector with an o-ring seal.



High Temperature/ Low Liquid Level Safety

To protect your application, the adjustable High Temperature/Low Liquid Level Safety (HIGH TEMP/LOW LEVEL) ensures the heater will not exceed temperatures that can cause serious damage to your unit. A single temperature sensor, located on the heater coils in the bath, monitors both conditions. A High Temperature/Low Liquid Level fault occurs when the temperature of the sensor exceeds the set temperature limit. The safety switch has a temperature range of 7°C to 180°C.

In the event of a fault, the red LED near the adjustment dial will light, the display will go blank, and the unit will shut down. The cause of the fault must be identified and corrected before the unit can be restarted.

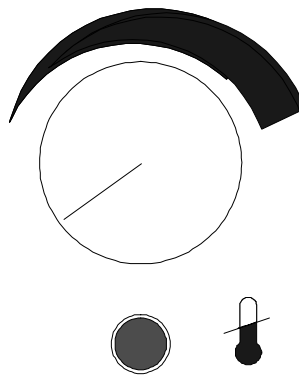
The safety is not preset and must be adjusted during initial installation.

To set the safety, locate the HIGH TEMP/LOW LEVEL SAFETY adjustment dial on the right side of the pump box. Turn the dial fully clockwise and turn the I/O switch off then back on.

Start the unit. Adjust the setpoint for a few degrees higher than the highest desired fluid temperature and allow the bath to stabilize at the temperature setpoint. Turn the HIGH TEMP/LOW LEVEL SAFETY dial counterclockwise until you hear a click and the unit shuts down. The red LED near the adjustment dial will light to indicate a fault has occurred.

Cool the bath and then, without moving the adjustment dial, turn the I/O switch off then back on.

NOTE: NESLAB recommends rechecking operation if the unit is moved.



High Temperature/Low Liquid Level Safety

9-Pin Accessory Connector

The unit is equipped with two 9-pin D-connectors located on the rear of the control box. The female COMM is used for RS232 communication (see Appendix A); the male is used with an optional remote sensor.



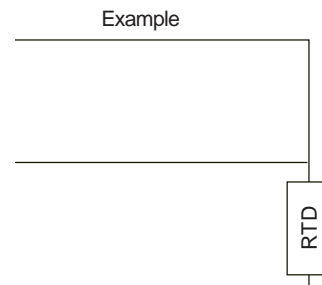
COMM Pin Connections

Pin #	Function
1	No connection.
2	TX = Transmitted data from controller
3	RX = Received data to controller
4	No connection
5	GND = Signal ground
6	No connection.
7	No connection
8	No connection
9	No connection

Hardware	Internal Connector	Mating Connector
	AMP Part# 745491-2	AMP Part# 745492-2

Remote Sensor Connections

Pin #	Function
1	3-wire RTD connection A
2	No connection
3	No connection
4	3-wire RTD connection A
5	No connection
6	No connection.
7	3-wire RTD connection B
8	No connection
9	No connection



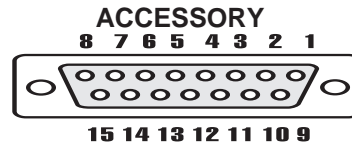
Hardware	Internal Connector	Mating Connector
	AMP Part# 745492-2	AMP Part# 745491-2

Analog Interface (Optional)

An optional 15-pin D subminiature female receptacle for analog interface is located on the rear of the control/pump box.

Pin # Function

Pin #	Function
1	Chassis ground.
2	No connection.
3 - 5	No connection.
6	Analog Ground. The analog ground is physically separated from the power ground throughout the unit. To prevent offsets that result from ground currents, the analog and power grounds are only connected at the unit's power supply. Analog ground should only be used as a reference pin.
7	Temperature Out. The fluid temperature, as measured by the controller's sensor located in the reservoir, can be read at this pin. The temperature scale is 10mV/°C, referenced to analog ground, pin 6 (example: +150mV = +15.0°C).
8	No connection.
9	Power Ground (5V RTN).
10 - 13	No connection.
14	+5V. Power supply of +5VDC (15mA maximum).
15	Setpoint In. The temperature setpoint can be controlled by applying a known voltage to this pin. The temperature scale is 10mV/°C, referenced to analog ground, pin 6 (example: +230mV = +23.0°C). Note: The setpoint is updated only when the voltage represents a temperature within the setpoint limits.

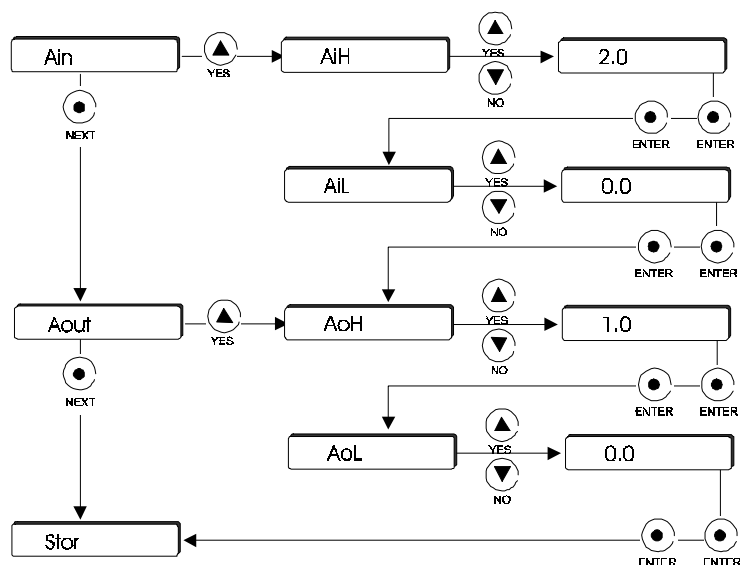


15 pin D-subminiature female receptacle

The analog setpoint signal (Setpoint In) is enabled using the unit's software. Using the Setup Loop discussed on page 13, keep depressing the NEXT ENTER key until SP is displayed. Use the YES or NO key to display the desired mode, AnA for analog or LoC for local, then press NEXT ENTER to continue with the loop. **NOTE:** The last value entered is maintained when SP is changed from AnA to LOC or LOC to AnA. Store the change.

The Analog In and Analog Out discussed in the Calibration Loop on pages 23 and 24 is applicable to this unit. Analog In calibration is done by applying a 2Vdc signal for AiH, and a 0Vdc signal for AiL. Reference the appropriate pins on the ACCESSORY connector.

Analog Out calibration is done by measuring the appropriate pins on the ACCESSORY connector. Adjust the AoH to 1.000Vdc using the YES and NO keys then press ENTER twice. Adjust the AoL to 0.000Vdc using the YES and NO keys then press ENTER twice.



Section V Maintenance



To avoid electrical shock, disconnect the mains cord prior to removing any access panels or covers.

Service Contracts

NESLAB offers on-site Service Contracts designed to provide extended life and minimal down-time for your unit. For more information, contact our Service Department (see Preface, After-sale Support).

Condenser

For proper operation, the unit needs to pull substantial amounts of air through a condenser. A build up of dust or debris on the fins of the condenser will lead to a loss of cooling capacity.

Periodic vacuuming of the condenser is necessary. To access the condenser the front grille must be removed.



The unit must be turned off before the front panel is removed.

RTE-111 units have a one-piece grille assembly. Pull forward to remove.

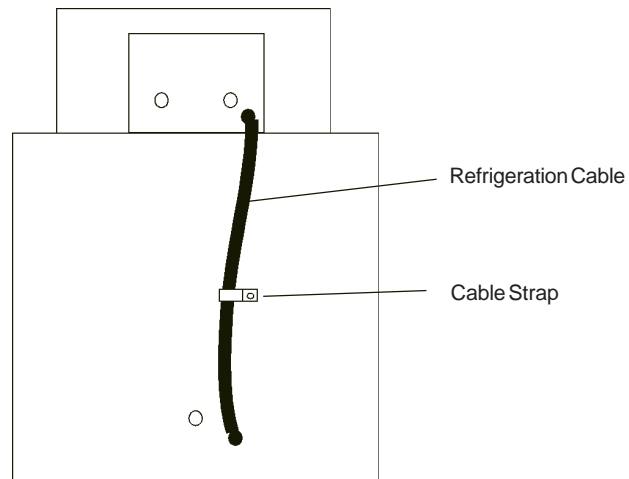
RTE-211 and RTE-221 units have a two piece grille assembly. First remove the left (blue-colored) section by simply pulling it forward. Pull forward on the remaining (white-colored) section to remove it.

The frequency of cleaning depends on the operating environment. After initial installation, we recommend a monthly visual inspection of the condenser. After several months, the frequency of cleaning will be established.

Reservoir Cleaning

Routine cleaning can be achieved by simply sponging down the seamless stainless steel tank with tap water. (Dish washing detergent may be used but the tank must be thoroughly rinsed.)

To gain access to the entire reservoir the pump box and reservoir cover should be removed.



Remove the line cord from the rear of the unit and then remove the four screws (two on each side) securing the reservoir's cover.

To get slack on the refrigeration cable, remove the cable strap. The cable itself does not need to be disconnected.

Turn the cover assembly over and carefully place it on a supporting platform.

Algae

To restrict the growth of algae in the bath, we recommend the bath cover be kept in place and that all circulation lines be opaque. This will eliminate the entrance of light required for the growth of most common algae.

NESLAB recommends the use of Chloramine-T, 1 gram per 3½ liters.

Additional Loops

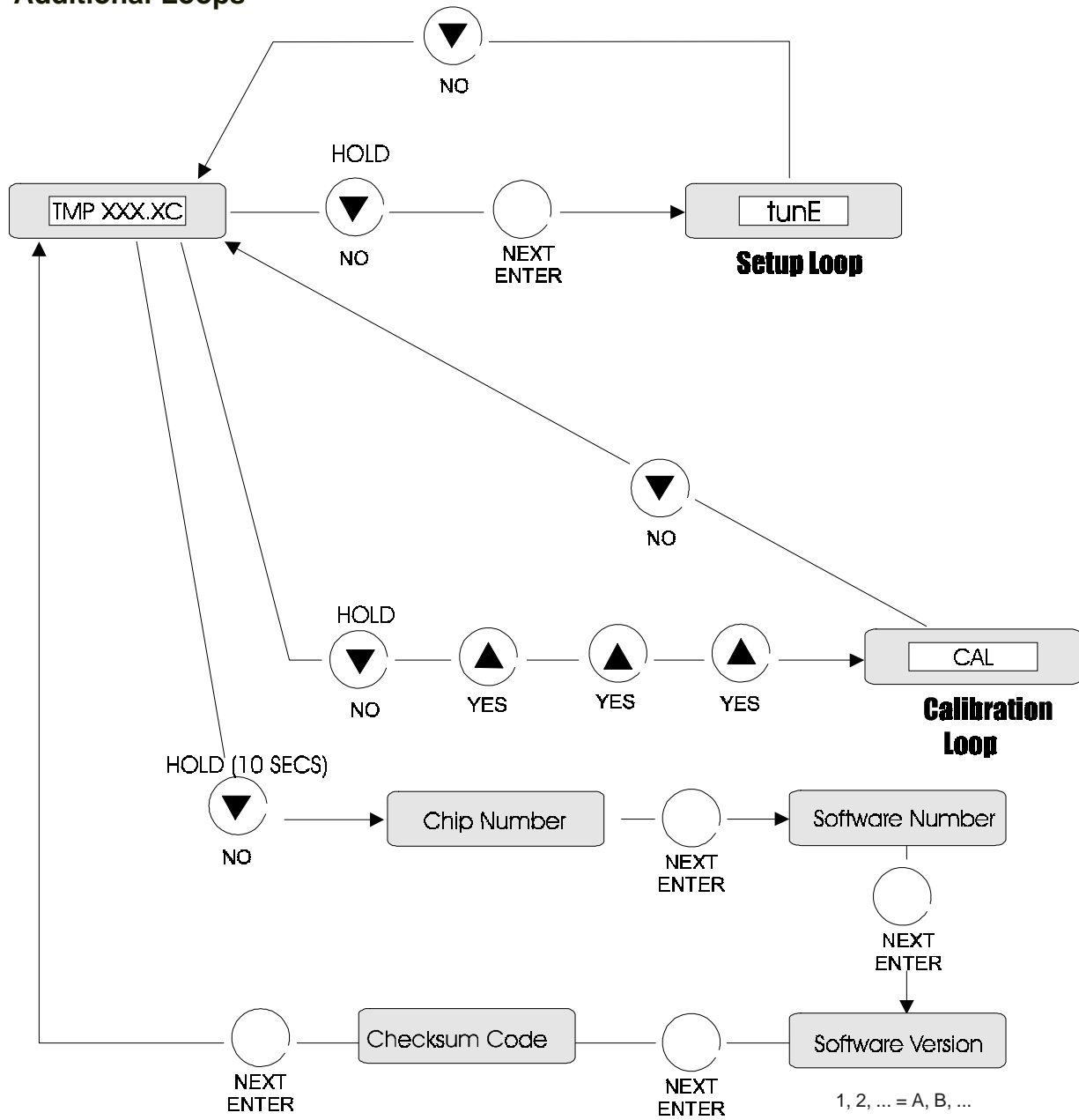


Figure 3 Additional Loops

Calibration Loop

The Calibration Loop is used to calibrate the RTD high and low temperature. The controller's internal temperature sensor is factory calibrated. We recommend calibrating any external sensor.

Enter the Calibration Loop from the Operator's Loop by pressing and holding the NO key while pressing the YES key three times.

Calibration Procedure

Install a calibrated reference thermometer in the bath. (For external mode, also install the sensor in the bath.) Place the cover on the unit.

The procedure uses the Operator's, Setup and Calibration Loops. In the Setup Loop place the unit in either the internal or external RTD mode of operation (RTD1 = Internal , RTD2 = External). Return to the Operator's Loop and adjust the setpoint to an appropriate high-end temperature.

NOTE: When calibrating the external sensor ensure the controller's SENSOR indicator is illuminated.

Once the bath reaches the setpoint and stabilizes, go to the Calibration Loop and, as illustrated on the next page, enter the actual reference thermometer reading at either the r1H or r2H prompt.

Store the change and return to the Operator's Loop. Adjust the setpoint to an appropriate low-end temperature. Once the bath reaches the setpoint and stabilizes, return to the Calibration Loop and enter the reference thermometer reading at either the r1L or r2L prompt. Store the change.



Do not pick points that are outside the safe operating limits of the fluid in your application. For example with a water bath, 90°C and 5°C would be typical calibration points.

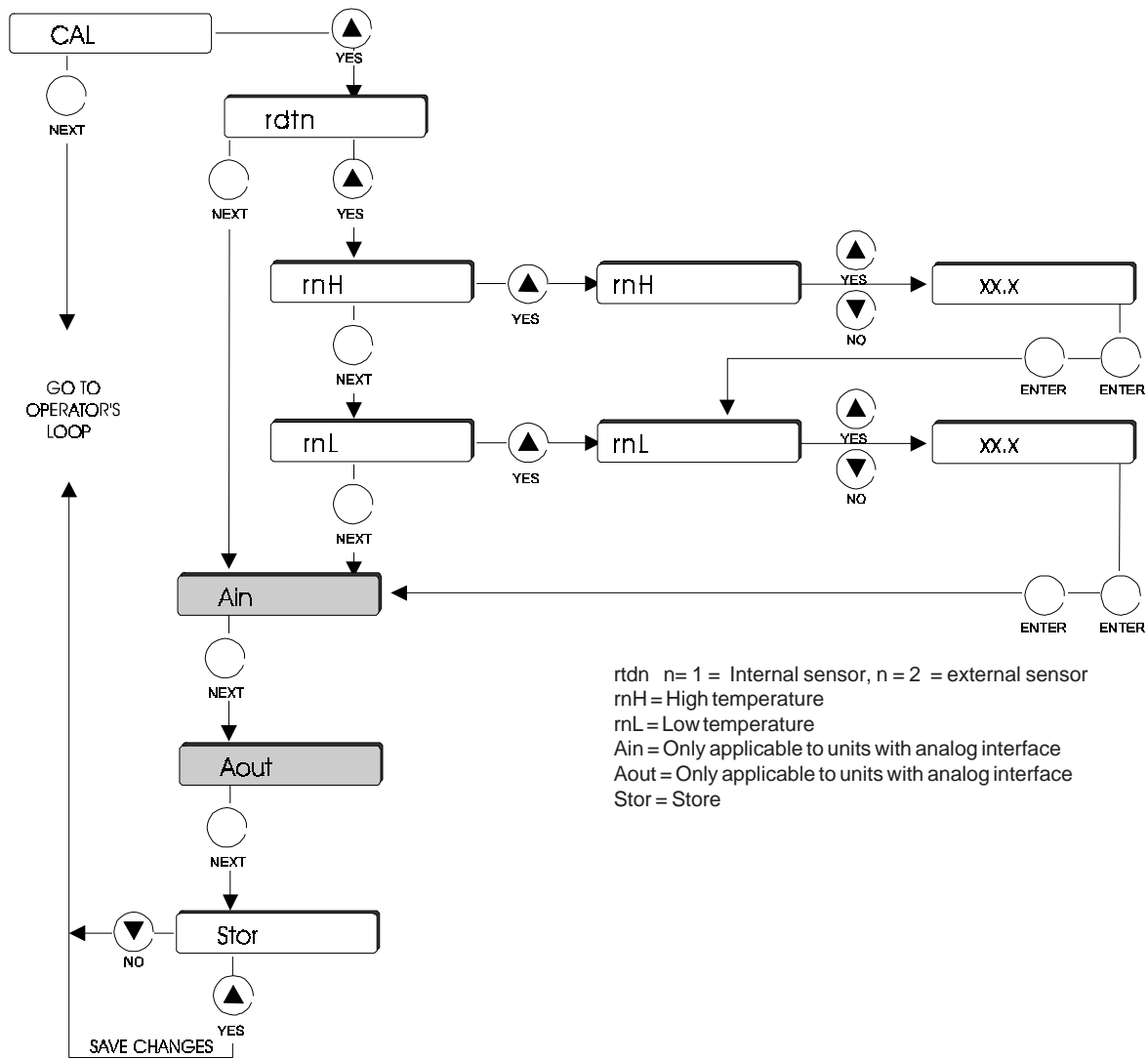


Figure 4 Calibration Loop

NOTE: To save *all* changes, when the display reads **Stor** press **YES**. Should you desire to return to the temperature display and abort *all* changes, when the display reads **Stor** press **NO**.

Section VI Troubleshooting

Checklist

Unit will not start

Make sure the voltage of the power source meets the specified voltage, $\pm 10\%$. Refer to the serial number label on the rear of the unit to identify the specific electrical requirements of your unit.

Check the High Temperature/Low Liquid Level Safety. If the red LED on the side of the controller is on, make sure the fluid level in the bath is between the marks in the baffle and the HIGH TEMP/LOW LEVEL SAFETY setting is greater than the fluid temperature. Turn the I/O switch off then back on, and attempt to restart.

Loss of cooling capacity

Be sure the cooling capacity of the unit has not been exceeded if circulating to an external system.

When the unit is shut off, wait approximately five minutes before restarting. This allows time for the refrigeration pressures to equalize. If the pressures are not allowed to equalize, the compressor will short-cycle (clicking sound) and no cooling will occur.

Proper ventilation is required for heat removal. Make sure ventilation through the front and rear panels is not impeded and the panels are free of dust and debris.

Ice build up on the cooling coils can act as insulation and lower the cooling capacity. Raise the temperature of the bath to de-ice the cooling coil and increase the concentration of non-freezing fluid.

No external circulation

Check for obstructions, kinks, or leaks in the circulation tubing.

Circulation will cease when the pump head has been exceeded.

No/poor temperature control

Check RS232/remote operation on or off.

Check external sensor connection. Perform calibration.

Continued on next page.

No serial communications

All units are tested for serial communications before they leave the factory. Ensure the REMOTE indicator on the controller is illuminated.

Check all communications commands, they *must be exact*. See Appendix A.

Check communications settings. The protocol uses an RS-232 serial interface with the parameters: 9600 baud, 8 data bits, 1 stop bit and no parity.

Check all wiring for proper connections or possible shorts.

Software to verify serial communication is available from NESLAB.

**Service Assistance and
Technical Support**

If, after following these troubleshooting steps, your unit fails to operate properly, contact our Customer Service Department for assistance (see Preface, After-sale Support). In addition to arranging warranty service, our Service Department can provide you with a wiring diagram and a complete list of spare parts for your unit. Before calling, please obtain the following:

Part number

Serial number

Software Version

Appendix A Serial Communications Protocol

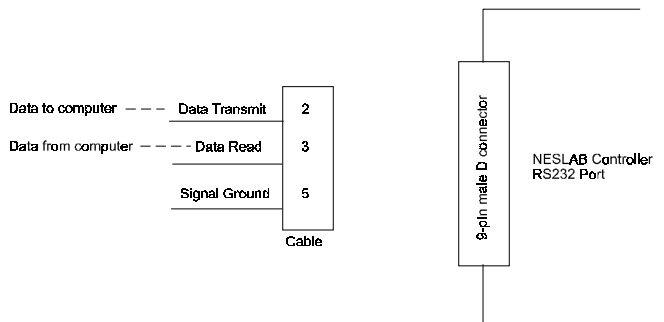
NOTE: This appendix assumes you have a basic understanding of communications protocols.

All data is sent and received in binary form, do not use ASCII. In the following pages the binary data is represented in hexadecimal (hex) format.

The Neslab Serial Communications Protocol, NC, is based on a master-slave model. The master is a host computer, while the slave is the bath's controller. Only the master can initiate a communications transaction (half-duplex). The slave ends the transaction by responding to the master's query. The protocol uses an RS-232 serial interface with the default parameters: 9600 baud, 1 start bit, 8 data bits, 1 stop bit and no parity.

NOTE: Before the unit will communicate, RS232 must be turned on in the controller's Setup Loop.

The unit can be controlled through your computer's serial port by using the unit's standard 9-pin RS-232 connection. Data read of the serial port connects to the data transmit (pin 2) of the bath. Data transmit of the serial port connects to data read (pin 3) of the bath.



Communication cables are available from NESLAB. Contact our sales department for additional information.

All commands must be entered in the exact format shown in the tables on the following pages. The tables on the last page of this Appendix show all commands available, their format and responses. Controller responses are either the requested data or an error message. The controller response *must* be received before the host sends the next command.

The host sends a command embedded in a single communications packet, then waits for the controller's response. If the command is not understood or the checksums do not agree, the controller responds with an error command. Otherwise, the controller responds with the requested data. If the controller fails to respond within 1 second, the host should resend the command.

NEScom Serial Communications Protocol

NOTE: All byte values are shown in hex, hex represents the binary values that must be sent to the bath. **Do not use ASCII.**

The framing of the communications packet in both directions is:

Checksum region								
Lead char CA	Addr-MSB 00	Addr-LSB 01	Command	n d-bytes	d-byte 1	...	d-byte n	Checksum

<i>Lead char</i>	CA (hex).
<i>Addr-msb</i>	Device address is 1
<i>Addr-lsb</i>	Most significant byte of device address is 00 hex.
<i>Command</i>	Least significant byte of device address is 01 hex.
<i>n d-bytes</i>	Command byte (see Table 1).
<i>d-byte 1</i>	Number of data bytes to follow (00 to 03 hex).
...	1 st data byte (the qualifier byte is considered a data byte).
<i>d-byte n</i>	...
<i>Checksum</i>	n th data byte.
	Bitwise inversion of the 1 byte sum of bytes beginning with the most significant address byte and ending with the byte preceding the checksum. (To perform a bitwise inversion, "exclusive OR" the one byte sum with FF hex.)

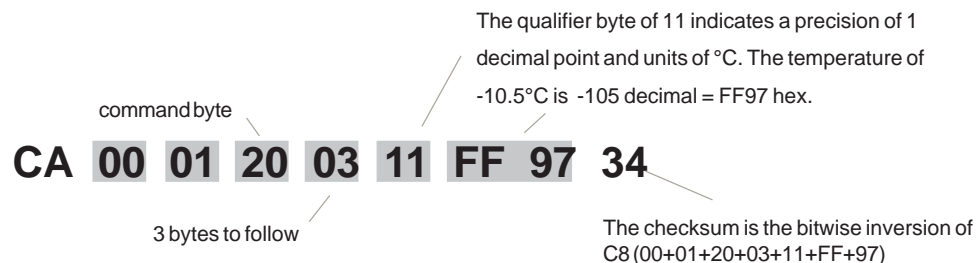
The master requests information by sending one of the Read Functions as shown in Table 1 on page 30. Since no data is sent to the bath during a read request, the master uses 00 for the number of data bytes following the command byte.

The bath will respond to a Read Function by echoing the lead character, address, and command byte, followed by the requested data and checksum. When the bath sends data, a qualifier byte is sent first, followed by a two byte signed integer (16 bit, MSB sent first). The qualifier byte indicates the precision and units of measure for the requested data as detailed in Table 2, see page 30.

As an example, the master requests to read internal temperature by sending:

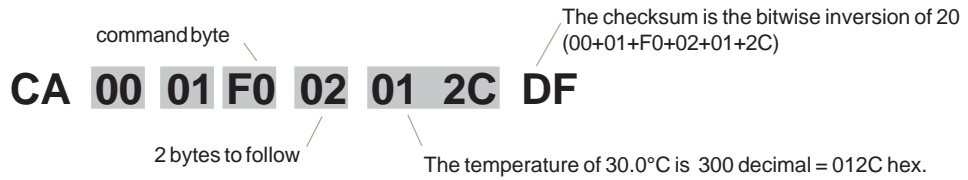


If the temperature is -10.5°C, the slave would reply:



The master sets parameters in the bath by sending one of the Set Functions as shown in Table 1. The master does not send a qualifier byte in the data field. The master should be preprogrammed to send the correct precision and units (it could also read the parameter of interest first to decode the correct precision and units needed).

For example, if the master wants to set the setpoint to 30°C, it would send :



The slave responds:

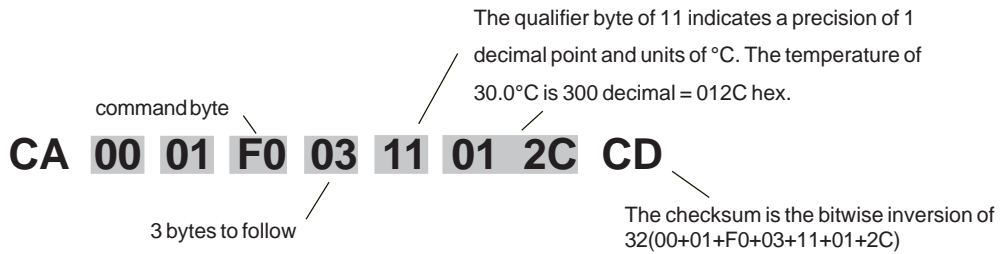


Table 1 (All bytes are in hex)

FUNCTION	MASTER SENDS	BATH RESPONDS
READ		
Read Internal Temperature	CA 00 01 20 00 DE	CA 00 01 20 03 qb d1 d2 cs
Read External Sensor	CA 00 01 21 00 DD	CA 00 01 21 03 qb d1 d2 cs
Read Setpoint (control point)	CA 00 01 70 00 8E	CA 00 01 70 03 qb d1 d2 cs
Read Low Temperature Limit	CA 00 01 40 00 BE	CA 00 01 40 03 qb d1 d2 cs
Read High Temperature Limit	CA 00 01 60 00 9E	CA 00 01 60 03 qb d1 d2 cs
Read Proportional Band (P)	CA 00 01 71 00 8D	CA 00 01 71 03 qb d1 d2 cs
Read Integral (I)	CA 00 01 72 00 8C	CA 00 01 72 03 qb d1 d2 cs
Read Derivative (D)	CA 00 01 73 00 8B	CA 00 01 73 03 qb d1 d2 cs
SET		
Set Setpoint (control point)*	CA 00 01 F0 02 d1 d2 cs	CA 00 01 F0 03 qb d1 d2 cs
Set Low Temperature Limit*	CA 00 01 C0 02 d1 d2 cs	CA 00 01 C0 03 qb d1 d2 cs
Set High Temperature Limit*	CA 00 01 E0 02 d1 d2 cs	CA 00 01 E0 03 qb d1 d2 cs
Set Proportional Band (P=1-99.9)	CA 00 01 F1 02 d1 d2 cs	CA 00 01 F1 03 qb d1 d2 cs
Set Integral (I = 0-9.99)	CA 00 01 F2 02 d1 d2 cs	CA 00 01 F2 03 qb d1 d2 cs
Set Derivative (D= 0-5.0)	CA 00 01 F3 02 d1 d2 cs	CA 00 01 F3 03 qb d1 d2 cs
BATH ERROR RESPONSES		
Bad Command	N/A	CA 00 01 0F 02 01 ed cs
Bad Checksum	N/A	CA 00 01 0F 02 03 ed cs
MISCELLANEOUS		
Request Acknowledge	CA 00 01 00 00 FE	CA 00 01 00 02 v1 v2 cs

command bytes shown in **bold**

qb = qualifier byte

d1,d2 = 16 bit signed integer of the value being sent or received

cs = the checksum of the string (see text)

ed = echo back of the command byte as received

v1,v2=protocol version

* = limited to the range of the bath

Table 2

QUALIFIER BYTE

10 hex	0.1 precision, no units of measure
20 hex	0.01 precision, no units of measure
11 hex	0.1 precision, °C units

Example: The temperature of 45.6 °C would be represented by the qualifier 11 hex, followed by the 2 bytes 01 C8 hex (456 decimal).

Appendix B Programming Software

NEScom Software/ RS232 Communication

The NESLAB Communications Software is a user-friendly software that allows you to automate your temperature control process. The software includes a 3½" disk, comprehensive operator's manual and a toll-free number to a trained technical staff.

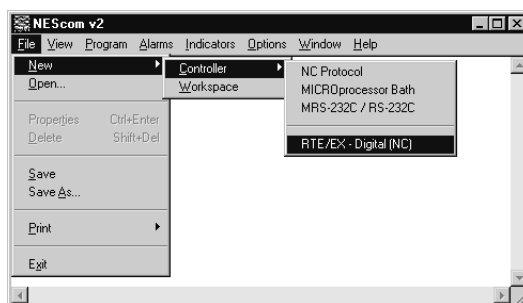
NEScom Software allows you to write custom temperature programs for our Digital or Microprocessor based temperature control apparatus. Choose upper or lower temperature limits and monitor system status with an alarm. NEScom can also record your results on a user selectable graph. NesCom must be used with an IBM or 100% compatible computer.

Select from easy to use product icons.

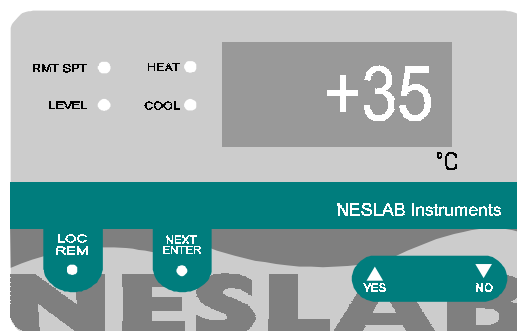
Create graphs and charts.

Easily configure ramping functions that set the setpoint over time.

View pop-up alarm windows that display if an alarm condition occurred.



Select software functions from the easy to use pulldown menus.



View a virtual controller screen which allows remote monitoring and operation of product control panel.

WARRANTY

NESLAB Instruments, Inc. warrants for 12 months from date of shipment any NESLAB unit according to the following terms.

Any part of the unit manufactured or supplied by NESLAB and found in the reasonable judgment of NESLAB to be defective in material or workmanship will be repaired at an authorized NESLAB Repair Depot without charge for parts or labor. The unit, including any defective part must be returned to an authorized NESLAB Repair Depot within the warranty period. The expense of returning the unit to the authorized NESLAB Repair Depot for warranty service will be paid for by the buyer. NESLAB's responsibility in respect to warranty claims is limited to performing the required repairs or replacements, and no claim of breach of warranty shall be cause for cancellation or rescision of the contract of sales of any unit. With respect to units that qualify for field service repairs, NESLAB's responsibility is limited to the component parts necessary for the repair and the labor that is required on site to perform the repair. Any travel labor or mileage charges are the financial responsibility of the buyer.

The buyer shall be responsible for any evaluation or warranty service call (including labor charges) if no defects are found with the NESLAB product.

This warranty does not cover any unit that has been subject to misuse, neglect, or accident. This warranty does not apply to any damage to the unit that is the result of improper installation or maintenance, or to any unit that has been operated or maintained in any way contrary to the operating or maintenance instructions specified in NESLAB's Instruction and Operation Manual. This warranty does not cover any unit that has been altered or modified so as to change its intended use.

In addition, this warranty does not extend to repairs made by the use of parts, accessories, or fluids which are either incompatible with the unit or adversely affect its operation, performance, or durability.

NESLAB reserves the right to change or improve the design of any unit without assuming any obligation to modify any unit previously manufactured.

THE FOREGOING EXPRESS WARRANTY IS IN LIEU OF ALL OTHER WARRANTIES, EXPRESSED OR IMPLIED, INCLUDING BUT NOT LIMITED TO WARRANTIES OR MERCHANTABILITY AND FITNESS FOR A PARTICULAR PURPOSE.

NESLAB'S OBLIGATION UNDER THIS WARRANTY IS STRICTLY AND EXCLUSIVELY LIMITED TO THE REPAIR OR REPLACEMENT OF DEFECTIVE COMPONENT PARTS AND NESLAB DOES NOT ASSUME OR AUTHORIZE ANYONE TO ASSUME FOR IT ANY OTHER OBLIGATION.

NESLAB ASSUMES NO RESPONSIBILITY FOR INCIDENTAL, CONSEQUENTIAL, OR OTHER DAMAGES INCLUDING, BUT NOT LIMITED TO LOSS OR DAMAGE TO PROPERTY, LOSS OF PROFITS OR REVENUE, LOSS OF THE UNIT, LOSS OF TIME, OR INCONVENIENCE.

This warranty applies to units sold in the United States. Any units sold elsewhere are warranted by the affiliated marketing company of NESLAB Instruments, Inc. This warranty and all matters arising pursuant to it shall be governed by the law of the State of New Hampshire, United States. All legal actions brought in relation hereto shall be filed in the appropriate state or federal courts in New Hampshire, unless waived by NESLAB.